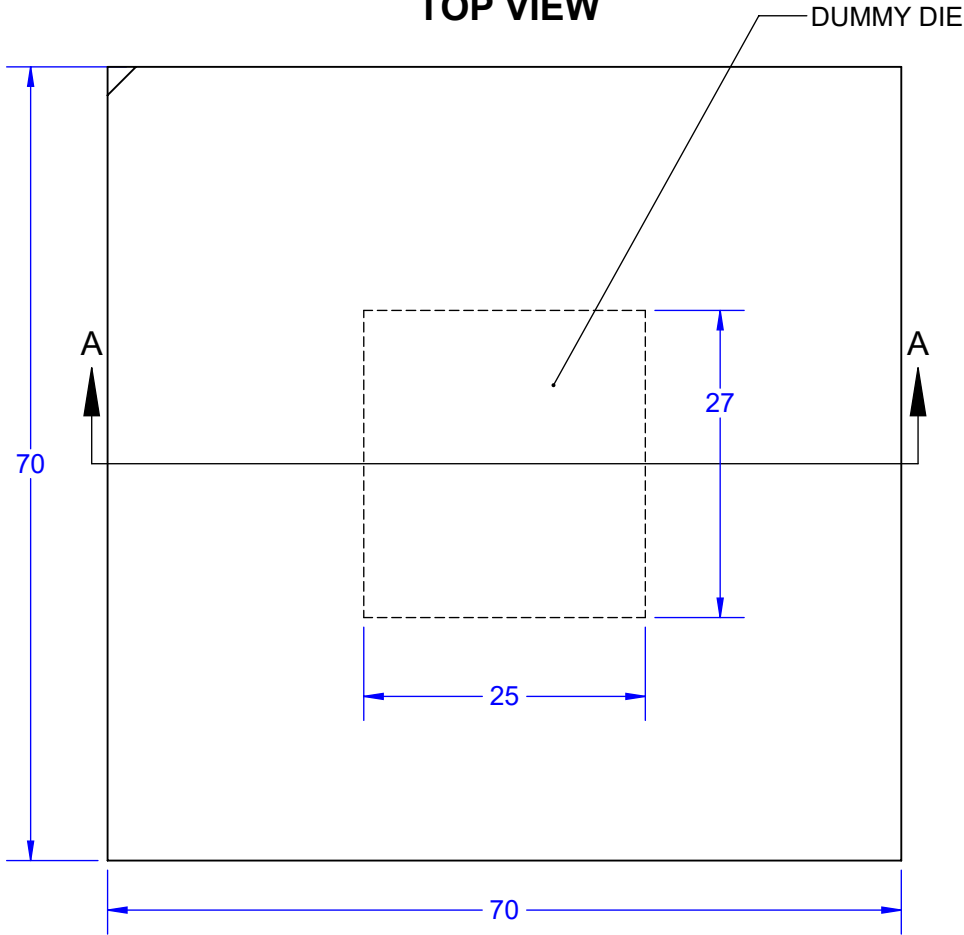
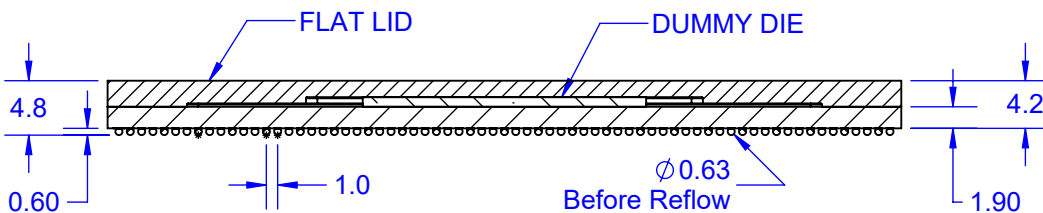
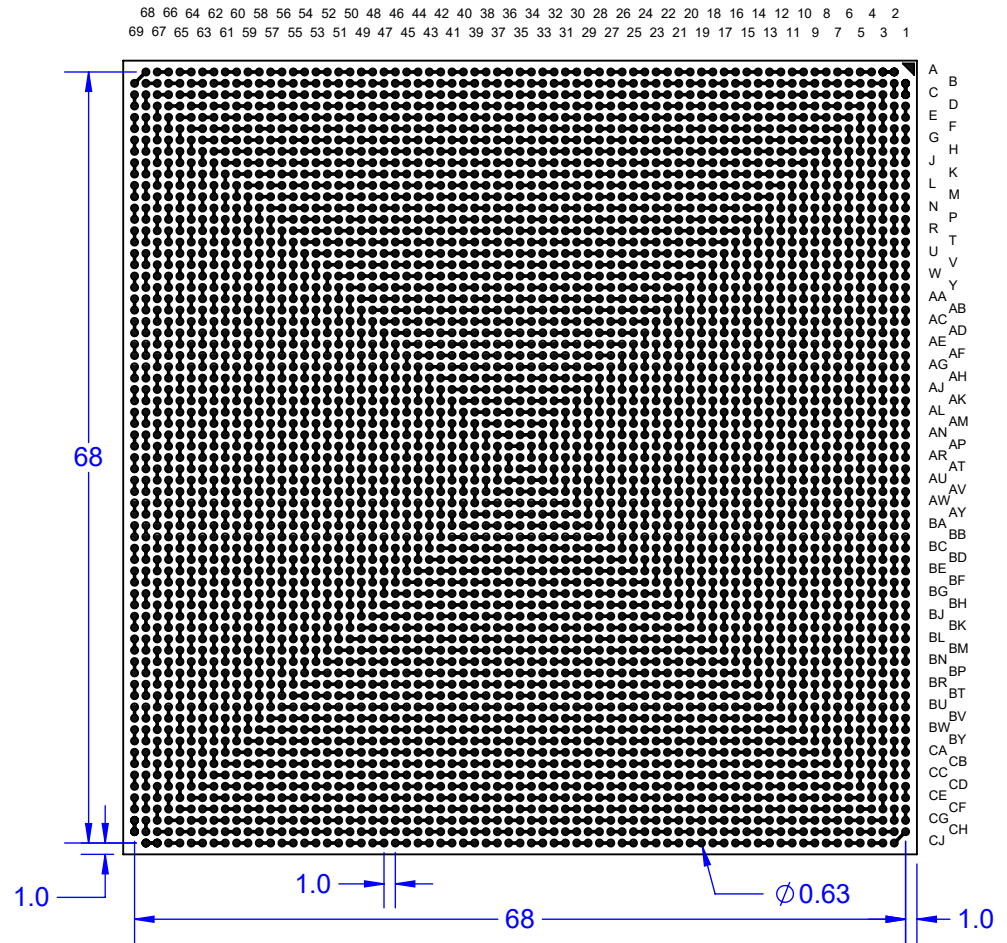


### TOP VIEW



### BOTTOM VIEW



SECTION A-A

Notes: (Unless Otherwise Specified).

- 1) ALL DIMENSIONS ARE IN MM.
- 2) SOLDER BALL ALLOY: SEE PART NUMBER TABLE.
- 3) BALL DIAMETER (BEFORE REFLOW): 0.635mm (25 MIL).
- 4) SOLDER MASK DEFINED PAD OPENING: 0.50mm (19.7 MIL).
- 5) PAD Cu DIAMETER: 0.635mm (25 MIL).
- 6) SUBSTRATE MATERIAL: ORGANIC.
- 7) DUMMY DIE Si (SILICON) 25 x 27mm.
- 8) DAISY CHAIN PATTERN (SEE PAGE 2).
- 9) MSL-3 RECOMMENDED BAKING 24 HOURS @ 125°C TO REMOVE MOISTURE PRIOR SOLDERING TO PC BOARD.

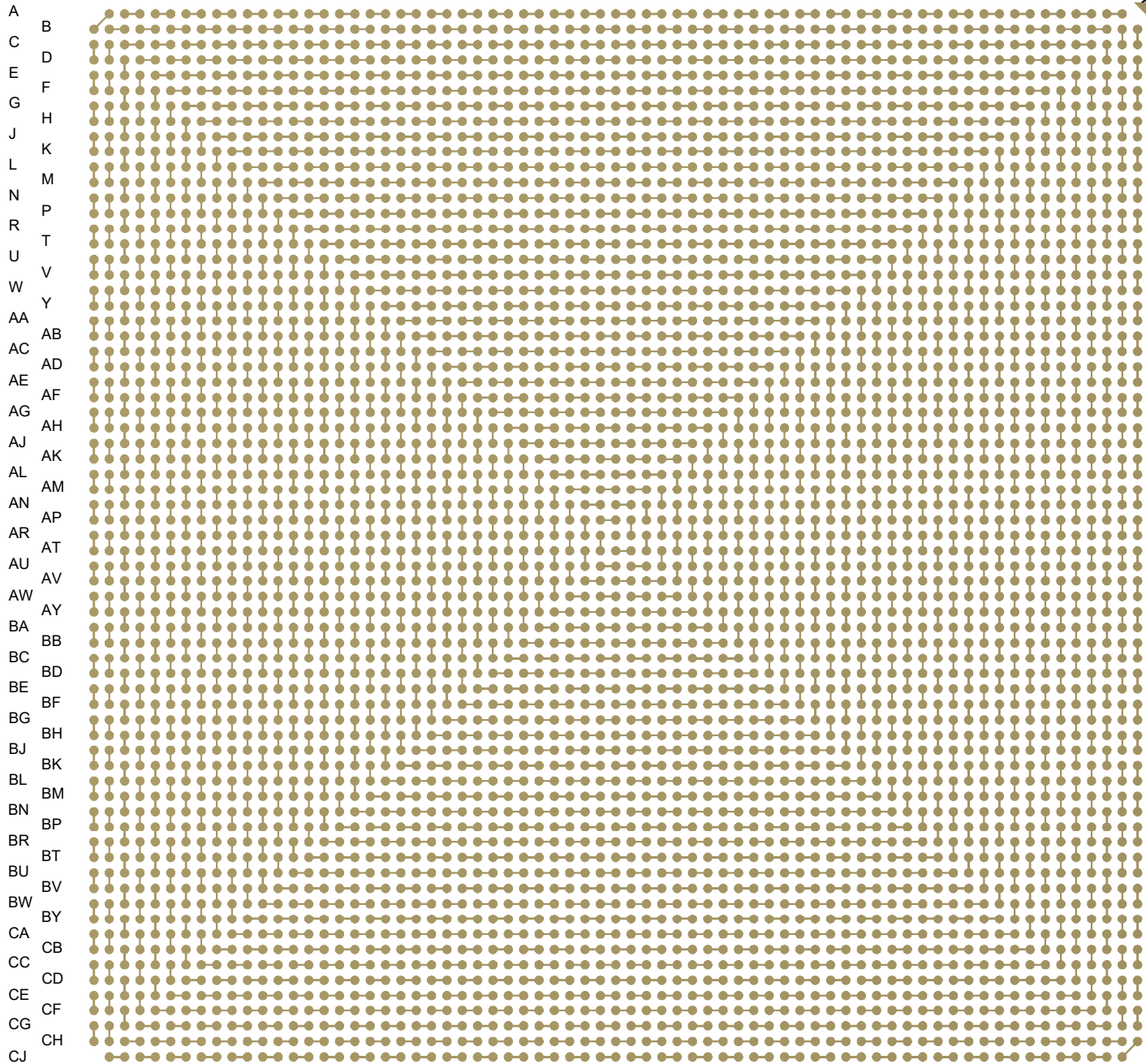
PART NUMBER TABLE

PART NUMBER	BALL ALLOY	BALL ALLOY	RoHS	Si DIE
FBGA4757T1.0C-DC698D	Sn96.5/Ag3.0/Cu0.5	SAC305	YES	YES
FBGA4757T1.0-DC698D	Sn63/Pb37	Sn63	NO	YES

APPROVALS	DATE	<b>TopLine®</b>			
DRAWN T. Au	2/12/2023				
ENG M. Hart	2/12/2023	TITLE FBGA4757T1.0-DC698D DAISY CHAIN DUMMY			
MFG		SCALE	SIZE	DRAWING NO.	REV
QA		3:2	A	516985	A
CUST		DO NOT SCALE DRAWING			SHEET 1 OF 6
REVISED					

# BALL VIEW

69 67 65 63 61 59 57 55 53 51 49 47 45 43 41 39 37 35 33 31 29 27 25 23 21 19 17 15 13 11 9 7 5 3 1  
 68 66 64 62 60 58 56 54 52 50 48 46 44 42 40 38 36 34 32 30 28 26 24 22 20 18 16 14 12 10 8 6 4 2

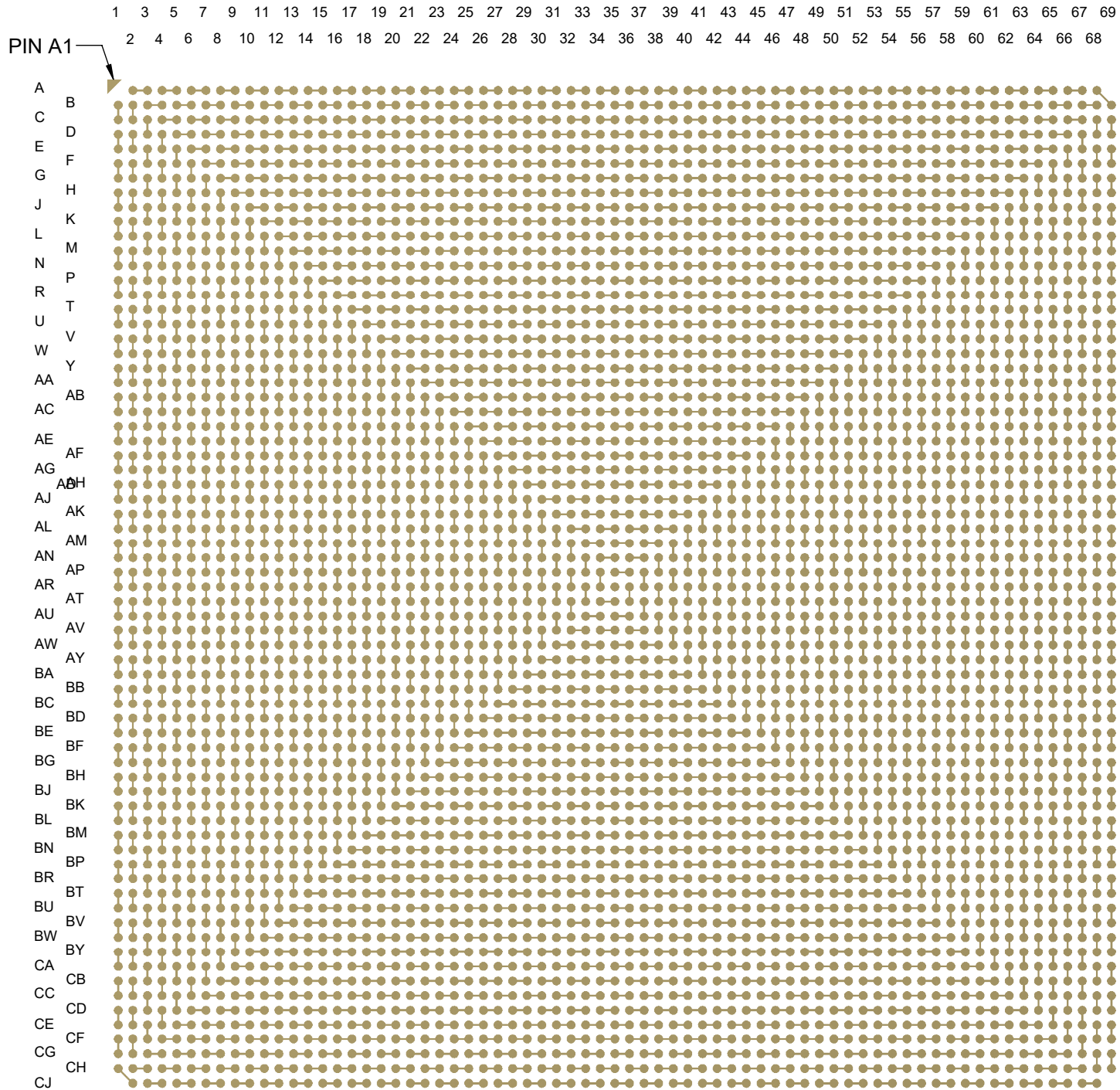


PIN A1

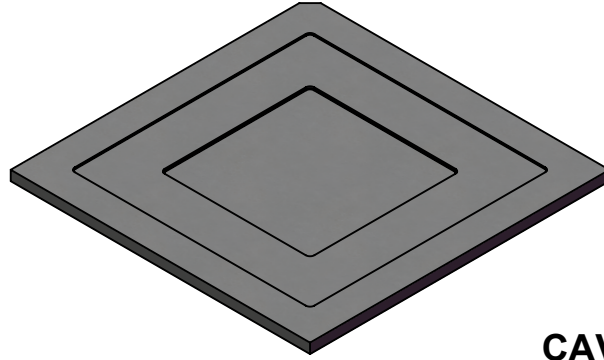
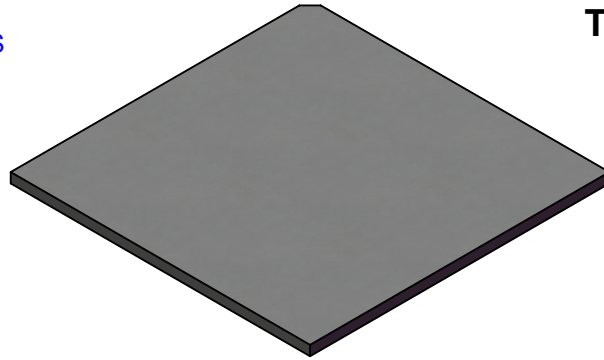
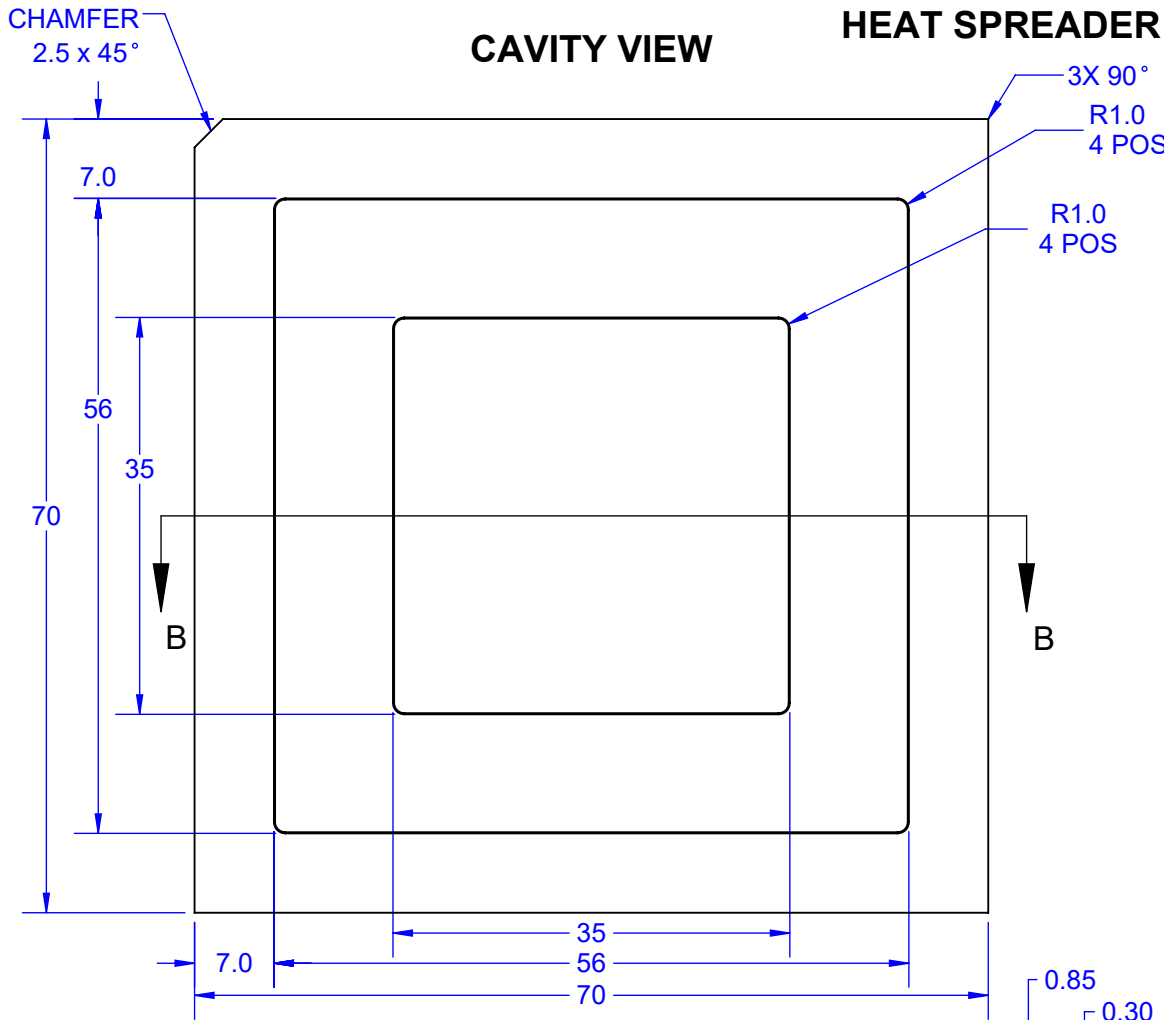


TITLE <b>FBGA4757T1.0-DC698D                  DAISY CHAIN DUMMY</b>			
SCALE <b>2.5:1</b>	SIZE <b>A</b>	DRAWING NO. <b>516985</b>	REV <b>A</b>
DO NOT SCALE DRAWING			SHEET 2 OF 6

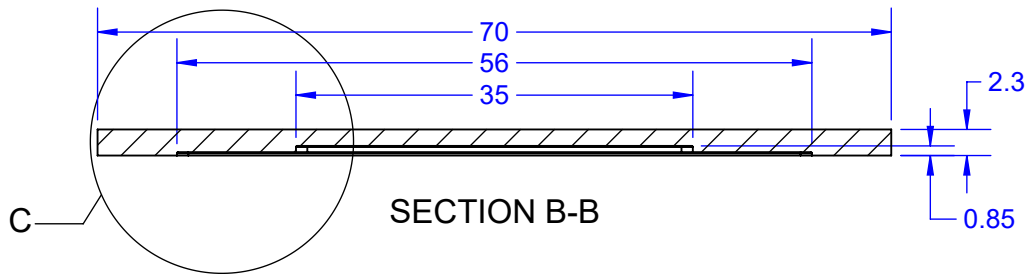
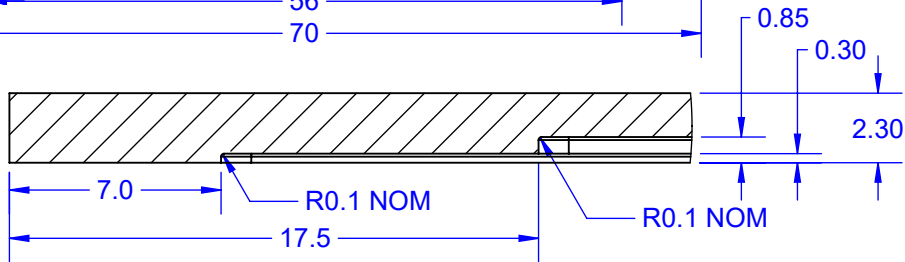
# BOTTOM SIDE (TOP X-RAY VIEW)



<b>TopLine®</b>			
TITLE    FBGA4757T1.0-DC698D DAISY CHAIN DUMMY			
SCALE	SIZE	DRAWING NO.	REV
2.5:1	A	516985	A
DO NOT SCALE DRAWING			SHEET 3 OF 6



**DETAIL C**  
SCALE 4 : 1

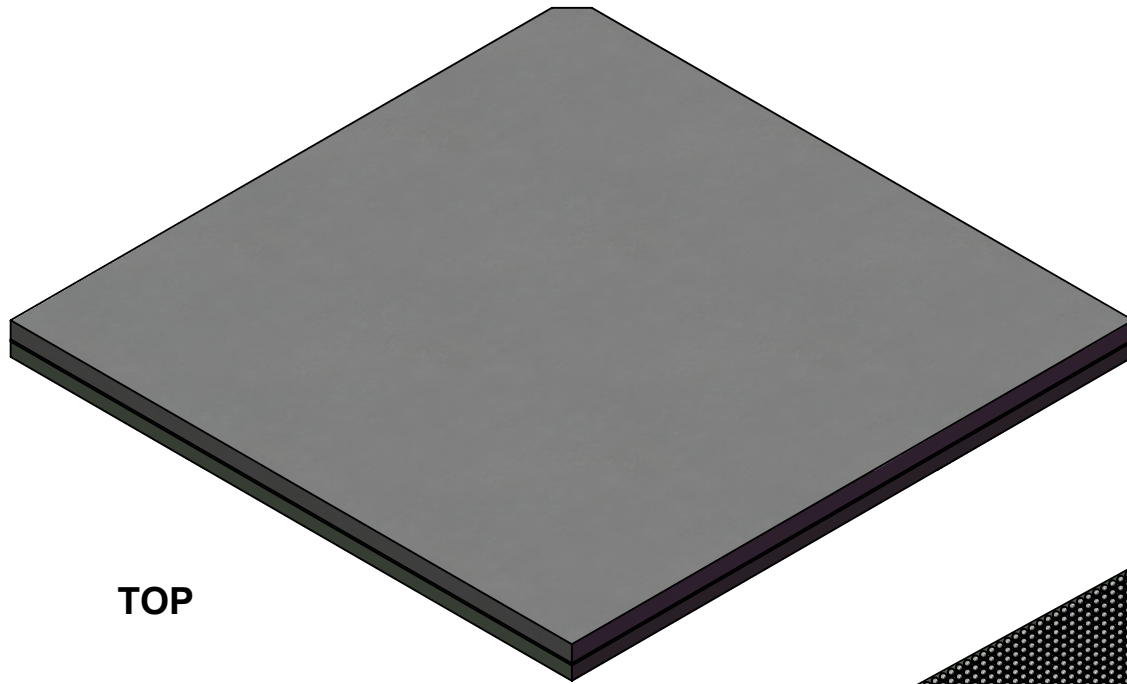


- Notes: (Unless Otherwise Specified).
- 1) DIMENSIONS: MM
  - 2) MATERIAL: COPPER C110 HALF-HARD
  - 3) PLATING: ELECTROLESS NICKEL
    - a. PER MIL-C-26074E
    - b. NICKEL (Ni) 0.0002 ~ 0.0004-INCH
    - c. MID-PHOSPHOROUS
    - d. COPPER (Cu) STRIKE

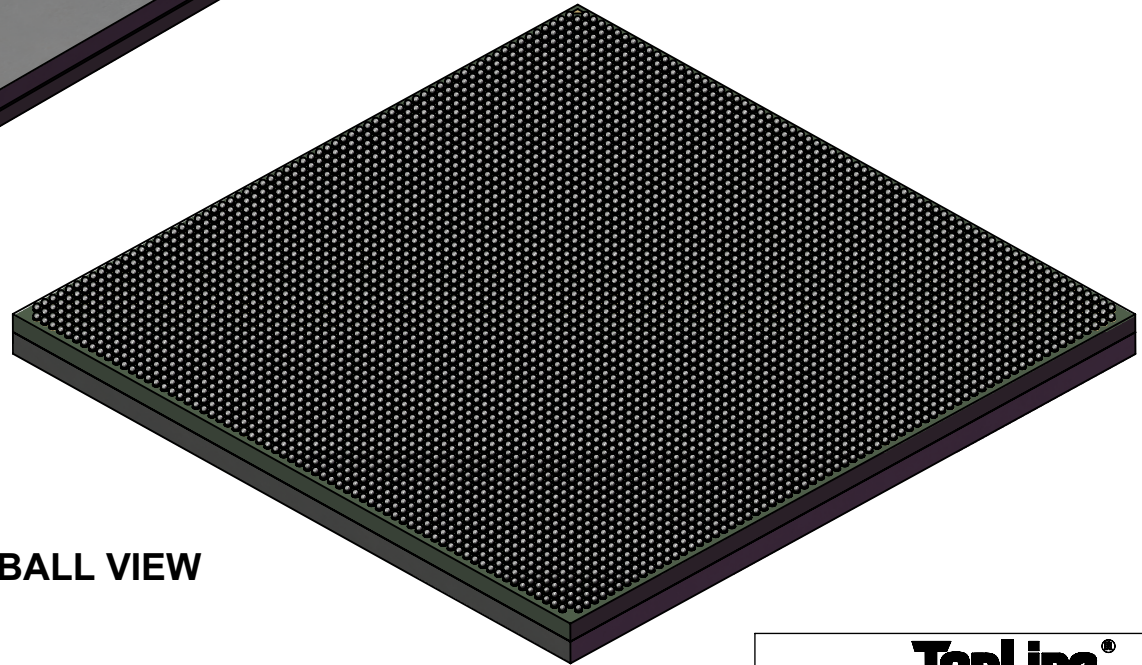
APPROVALS	DATE	<b>TopLine®</b>			
DRAWN T. Au	2/12/2023				
ENG M. Hart	2/12/2023	TITLE F-CAP70A FLAT CAVITY HEAT SPREADER			
MFG		SCALE	SIZE	DRAWING NO.	REV
QA		3:2	A	270790	A
CUST		DO NOT SCALE DRAWING			SHEET 4 OF 6
REVISED					



# MODEL



TOP



BALL VIEW

**TopLine<sup>®</sup>**

TITLE FBGA4757T1.0-DC698D  
DAISY CHAIN DUMMY

SCALE 3:2	SIZE A	DRAWING NO. 516985	REV A
--------------	-----------	-----------------------	----------

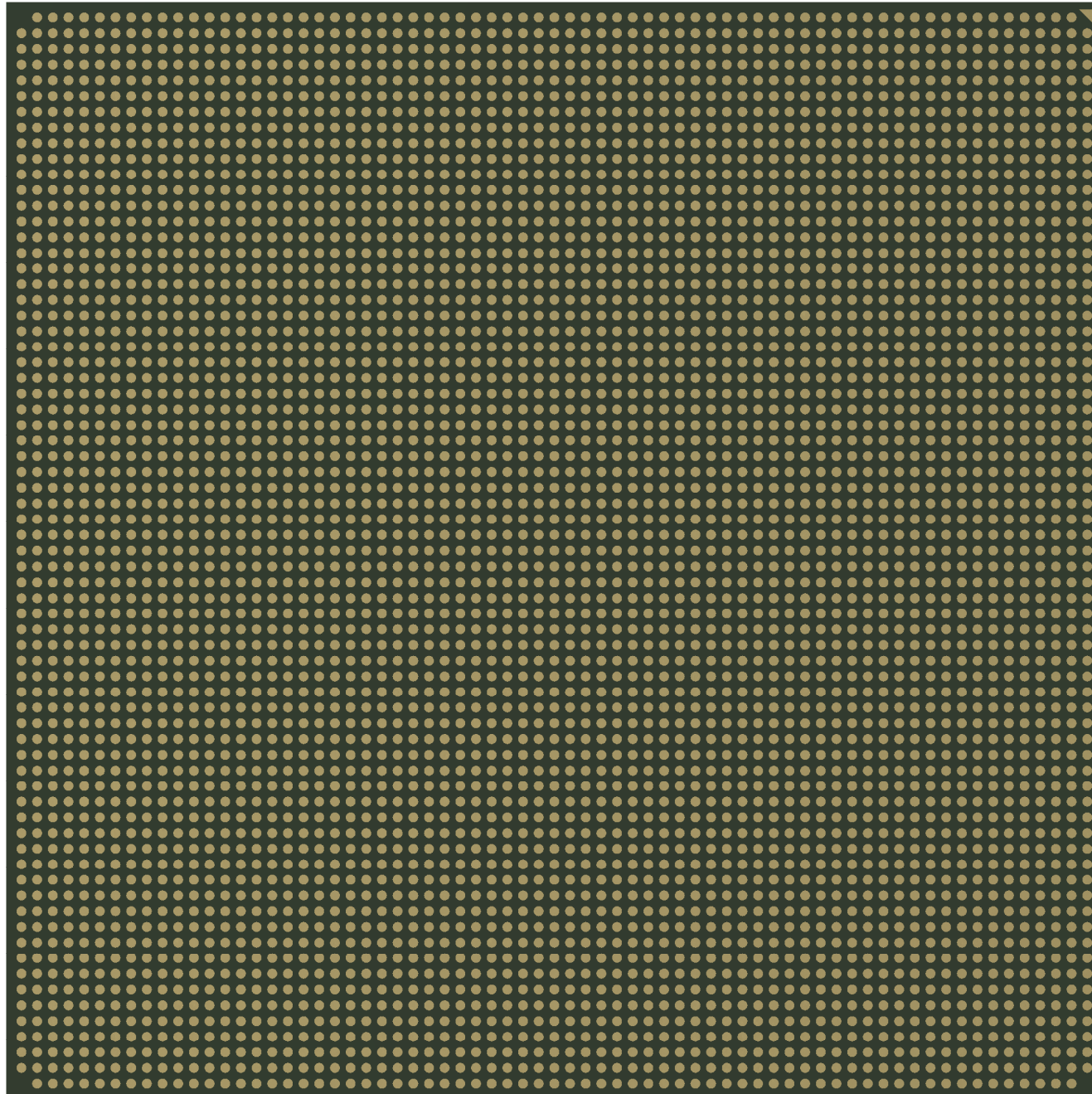
DO NOT SCALE DRAWING

SHEET 5 OF 6

# BOTTOM SOLDER MASK (RIGHT READING)

69 67 65 63 61 59 57 55 53 51 49 47 45 43 41 39 37 35 33 31 29 27 25 23 21 19 17 15 13 11 9 7 5 3 1  
68 66 64 62 60 58 56 54 52 50 48 46 44 42 40 38 36 34 32 30 28 26 24 22 20 18 16 14 12 10 8 6 4 2

A  
C  
E  
G  
J  
L  
N  
R  
U  
W  
AA  
AC  
AE  
AG  
AJ  
AL  
AN  
AR  
AU  
AW  
BA  
BC  
BE  
BG  
BJ  
BL  
BN  
BR  
BU  
BW  
CA  
CC  
CE  
CG  
CJ



<b>TopLine®</b>			
TITLE		FBGA4757T1.0-DC698D DAISY CHAIN DUMMY	
SCALE	SIZE	DRAWING NO.	REV
2.5:1	A	516985	A
DO NOT SCALE DRAWING			SHEET 6 OF 6